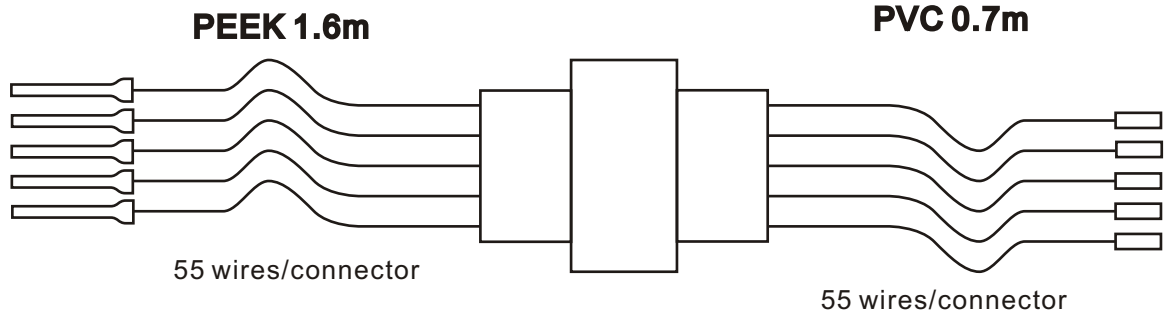


HV

Vacuum/Xe

Air



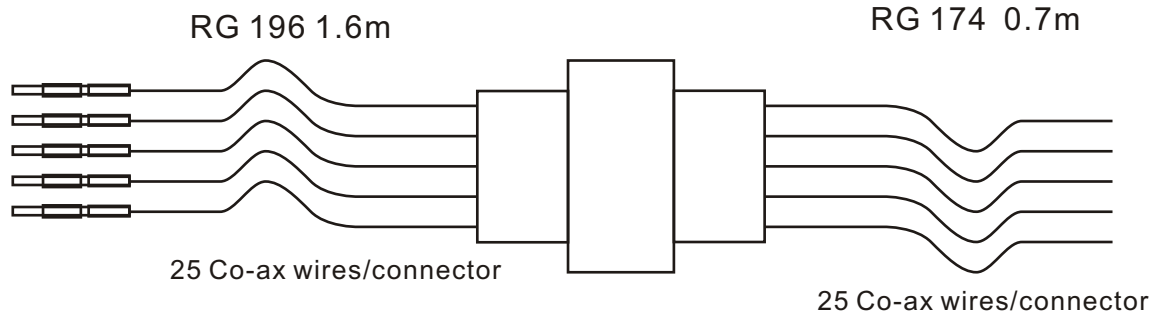
Burndy Female (Solder)

ZIF (Crimp)

SIGNAL

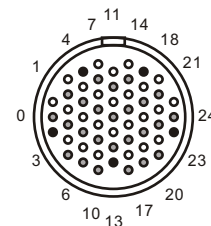
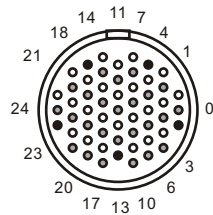
Vacuum/Xe

Air



Burndy Co-ax Male (Crimp, 2 steps)

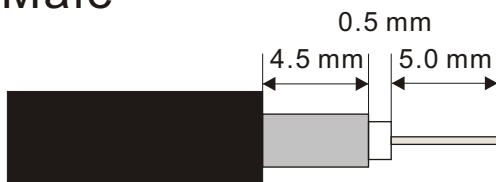
No connector



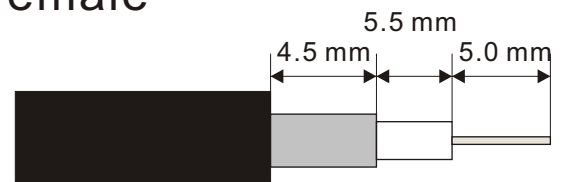
- Core Cable
- Ground
- No connection

Burndy Co-ax connector cable cut length

Male



Female



HV: 16 connector pairs
 SIGNAL: 36 connector pairs